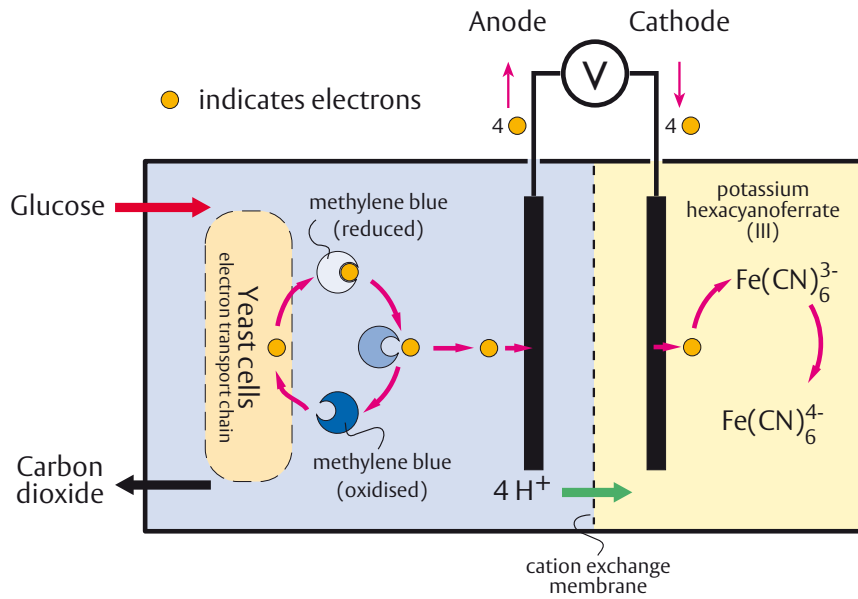
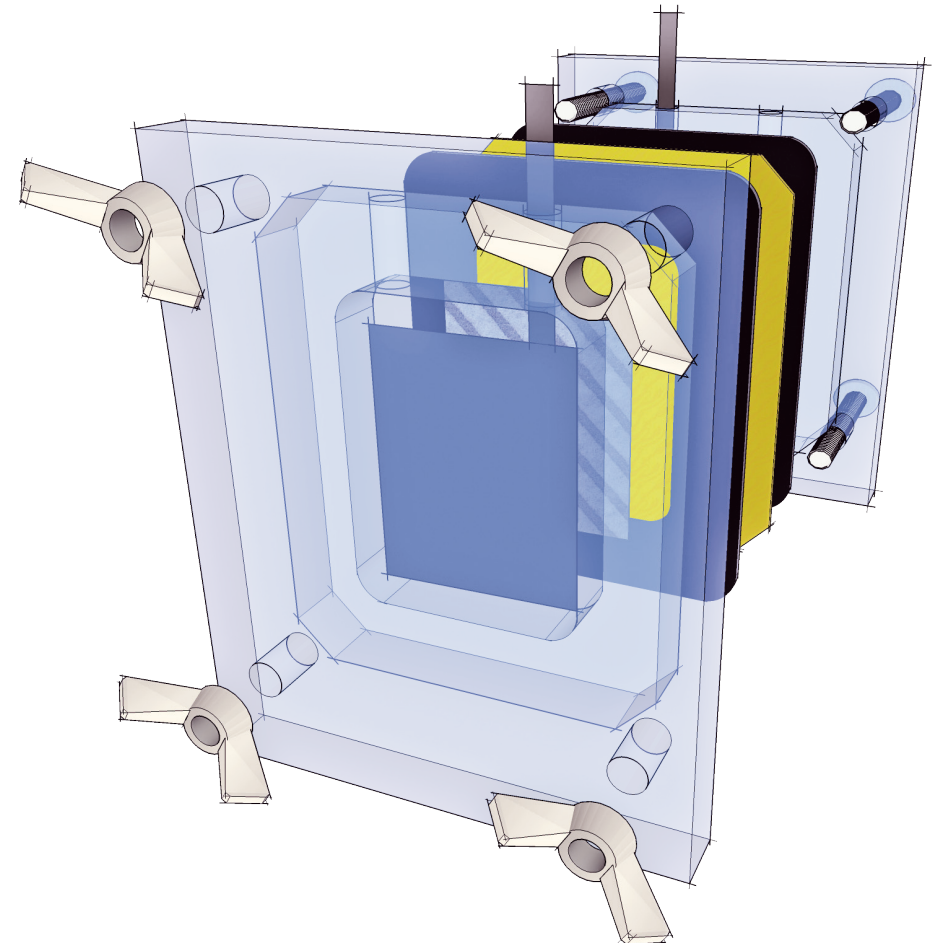


How it works

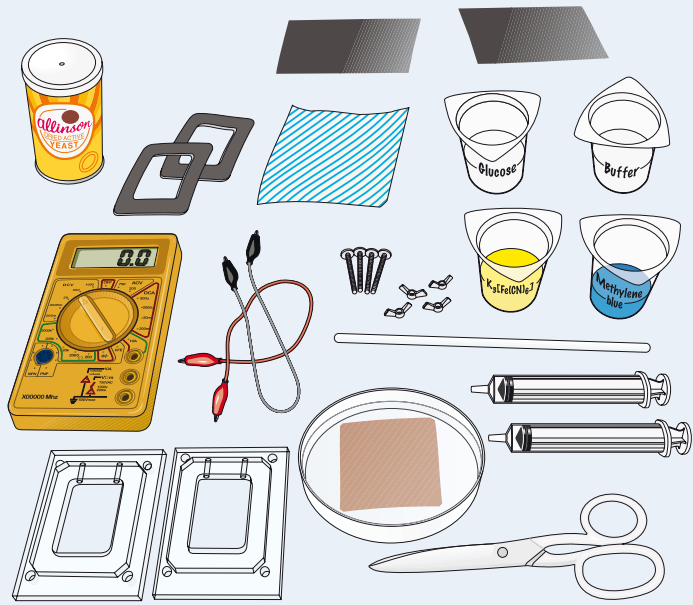


Microbial fuel cell

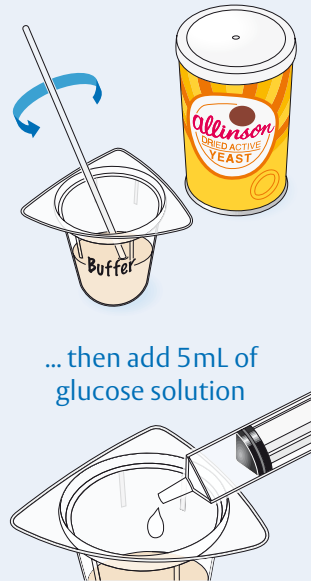
Student's guide



You will need

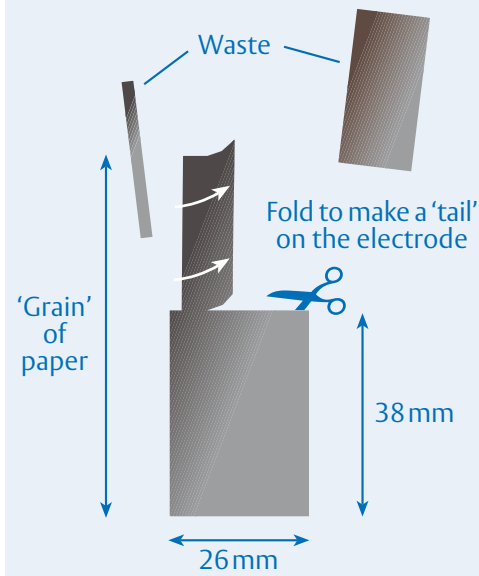


Rehydrate 2.5 g of yeast with 5 mL of buffer...

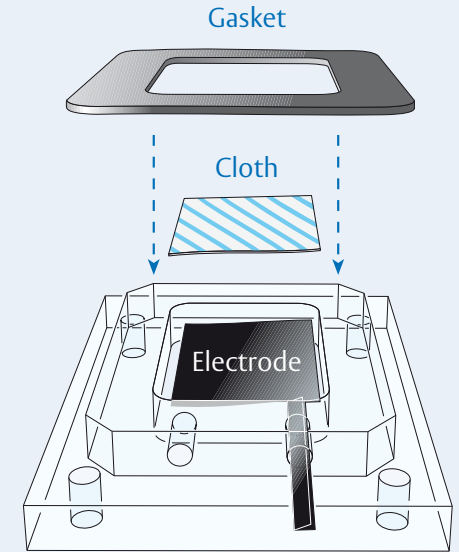


... then add 5 mL of glucose solution

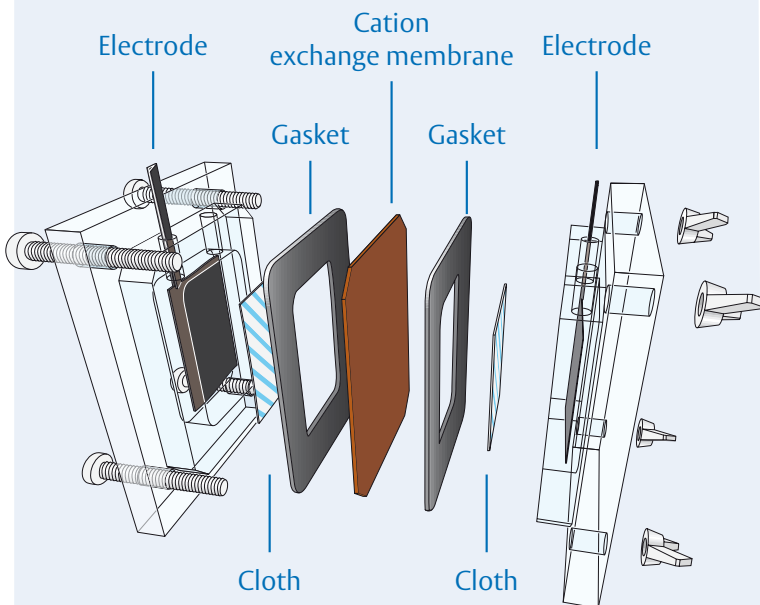
Cut two electrodes from carbon paper, to fit inside the fuel cell



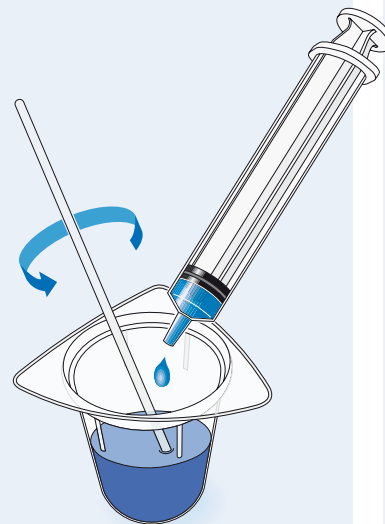
Assemble two identical half-cells



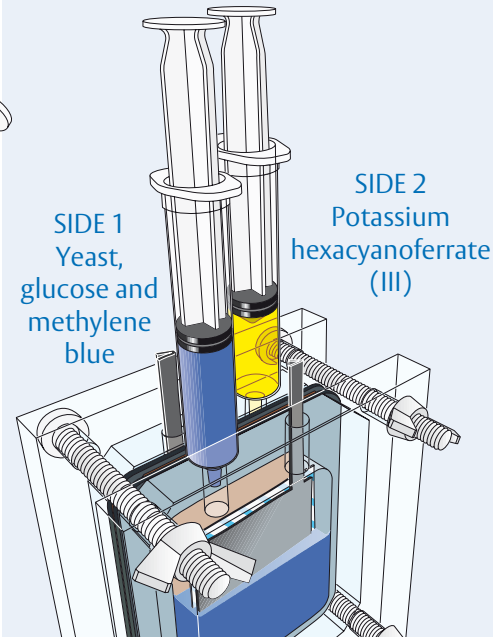
Assemble the fuel cell



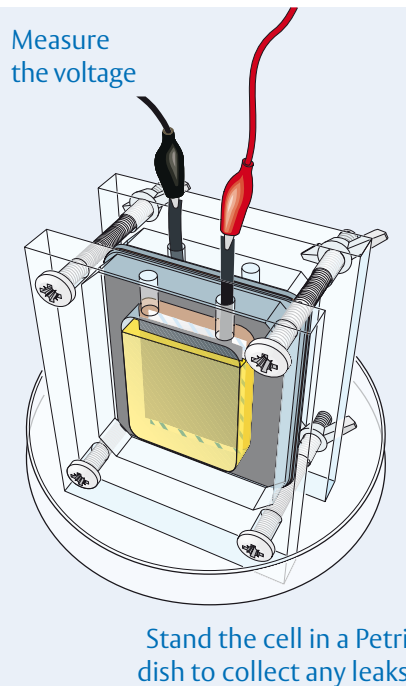
Stir 5 mL of methylene blue solution into the yeast suspension



Syringe the liquids into the cell



Measure the voltage



Stand the cell in a Petri dish to collect any leaks